

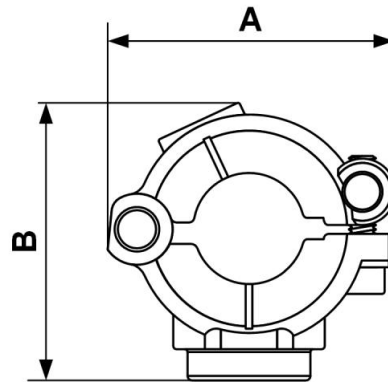
PPS1 BFT - Straight aluminum tapping flange parallel female thread



<p><u>For pipe OD</u> 25</p>	<p><u>BSPP female thread</u> G 1/2</p>	<p><u>Technology</u> PPS Grip Concept</p>	<p><u>Operating pressure</u> 0 to 16 bar</p>
<p><u>Vacuum capability</u> -0.98 bar (vacuum 98%)</p>	<p><u>Temperature</u> -20°C to +80°C</p>	<p><u>Construction</u> Pipe and fittings: alu.</p>	<p><u>Highlight</u> Scalable system</p>
<p><u>Meets standards</u> PED REACH</p>			

Description		
Reference	For pipe OD	BSPP female thread
PPS1 BFT2512	25	G 1/2
PPS1 BFT2527	25	G 3/4
PPS1 BFT3212	32	G 1/2

Reference	For pipe OD	BSPP female thread
PPS1 BFT3227	32	G 3/4
PPS1 BFT4012	40	G 1/2
PPS1 BFT4027	40	G 3/4
PPS1 BFT4034	40	G 1
PPS1 BFT5012	50	G 1/2
PPS1 BFT5027	50	G 3/4
PPS1 BFT5034	50	G 1
PPS1 BFT6312	63	G 1/2
PPS1 BFT6327	63	G 3/4
PPS1 BFT6334	63	G 1
PPS1 BFT6342	63	G 1 1/4
PPS1 BFT8012	80	G 1/2
PPS1 BFT8027	80	G 3/4
PPS1 BFT8034	80	G 1
PPS1 BFT8042	80	G 1 1/4
PPS1 BFT10027	100	G 3/4
PPS1 BFT10034	100	G 1
PPS1 BFT10049	100	G 1 1/2
PPS1 BFT16034	160	G 1
PPS1 BFT16060	160	G 2
PPS1 BFT16090	160	G 3



Dimensions

Reference	A mm	B mm
PPS1 BFT2512	65	64
PPS1 BFT2527	65	65
PPS1 BFT3212	65	64
PPS1 BFT3227	65	65
PPS1 BFT4012	94	88
PPS1 BFT4027	94	88
PPS1 BFT4034	94	92
PPS1 BFT5012	94	88
PPS1 BFT5027	94	88
PPS1 BFT5034	94	92
PPS1 BFT6312	137	129
PPS1 BFT6327	137	129
PPS1 BFT6334	137	129
PPS1 BFT6342	137	131
PPS1 BFT8012	137	129

Reference	A mm	B mm
PPS1 BFT8027	137	129
PPS1 BFT8034	137	129
PPS1 BFT8042	137	131
PPS1 BFT10027	159	138
PPS1 BFT10034	159	138
PPS1 BFT10049	159	138
PPS1 BFT16034		
PPS1 BFT16060		
PPS1 BFT16090		