

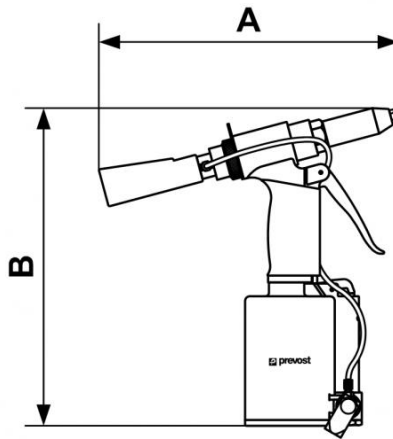
Hydro-pneumatic riveter with suction system



<p><u>Diameter (rivets (mm))</u></p> <ul style="list-style-type: none"> - Steel, Aluminium: 2.4 - 4.8 - Stainless steel: 2,4 – 4 mm 	<p><u>Consumption (l/min)</u></p> <p>123</p>	<p><u>Piston stroke (mm)</u></p> <p>14</p>	<p><u>Traction force (kg)</u></p> <p>1219</p>
<p><u>BSPT female thread</u></p> <p>R 1/4</p>	<p><u>Sound level (dB(A))</u></p> <p>60</p>	<p><u>Weight (kg)</u></p> <p>1.5</p>	<p><u>Max operating pressure</u></p> <p>6,2 bar</p>
<p><u>Connection</u></p> <p>Supplied with 3 adaptors: ISO 6150 B; European 7,4 mm; ARO 210</p>			

Description							
Reference	Diameter (rivets (mm))	Consumption (l/min)	Piston stroke (mm)	Traction force (kg)	BSPT female thread	Sound level (dB(A))	Weight (kg)

<p>TAR 481220</p>	<p>- Steel, Aluminium: 2,4 - 4,8 - Stainless steel: 2,4 - 4 mm</p>	<p>123</p>	<p>14</p>	<p>1219</p>	<p>R 1/4</p>	<p>60</p>	<p>1.5</p>
<p>TAR 641895</p>	<p>- Steel, Aluminium: 2,4 - 6,4 mm - Stainless steel: 2,4 - 5,6 mm</p>	<p>148</p>	<p>19</p>	<p>1894</p>	<p>R 1/4</p>	<p>63</p>	<p>2.2</p>



Dimensions

Reference	A mm	B mm
TAR 481220	261	277
TAR 641895	273	323