

Grampo de Fixação Horizontal

Código: 6830

Modelo: Horizontal com pega vermelha

Fabricante:

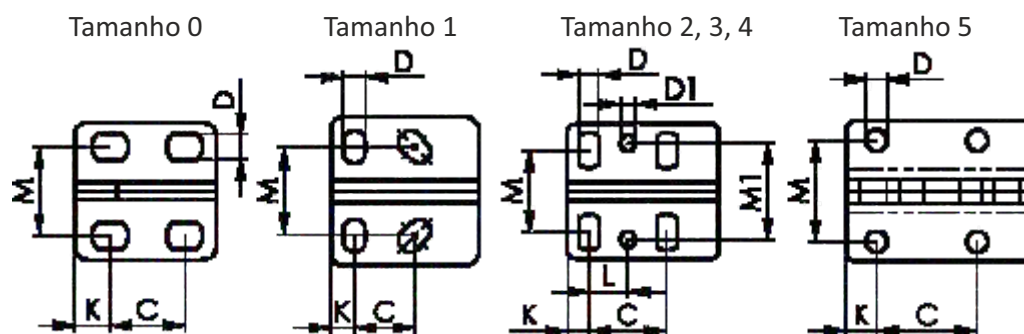
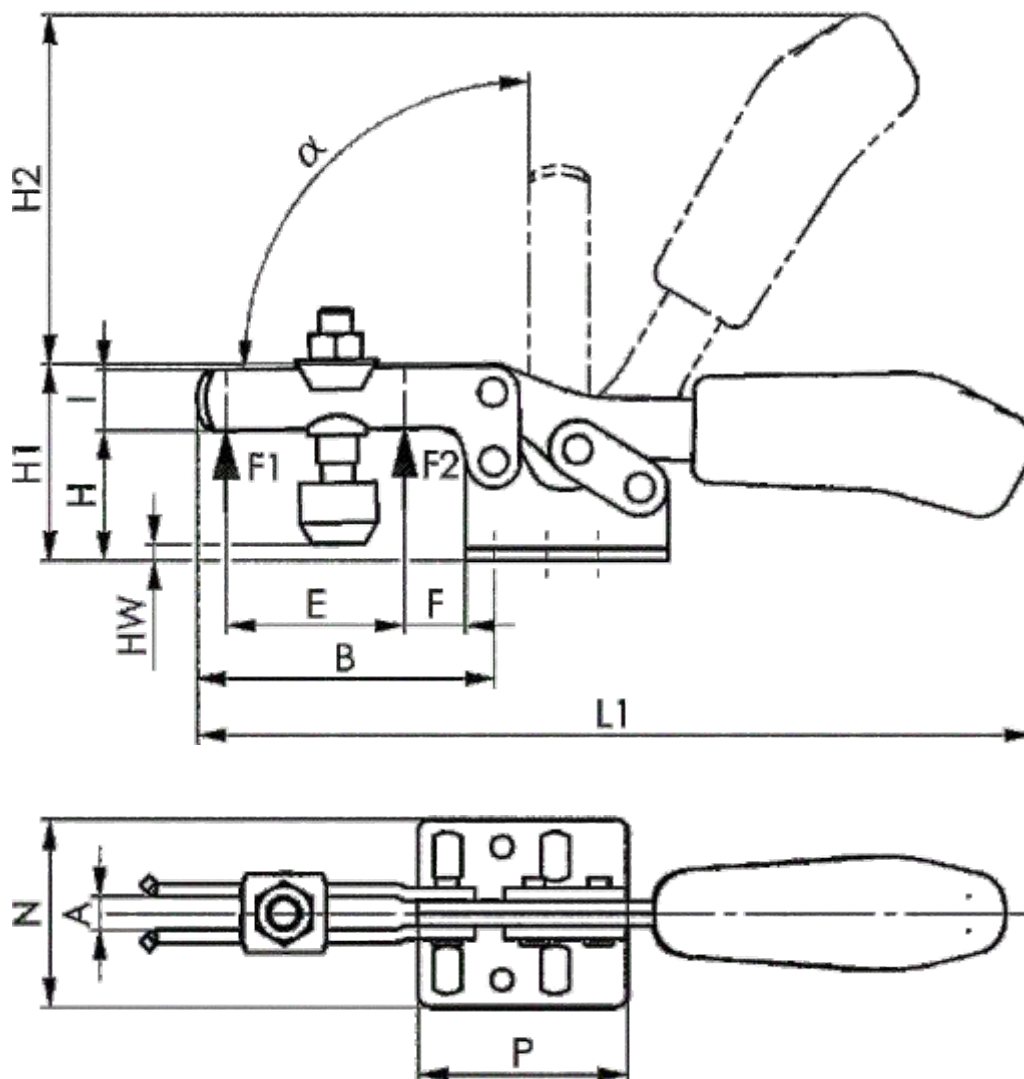


Ficha Técnica

Tipo	Descrição						
	Tamanho	0	1	2	3	4	5
Código		93005	93013	93021	93039	93047	93054
F1 (kN)		0,25	0,8	1,0	1,8	2,0	3,0
F2 (kN)		0,4	1,1	1,2	2,5	3,0	5,0
Ponteira		M4x25	M5x30	M6x35	M8x45	M8x65	M8x65
Peso (Kg)		0,035	0,105	0,185	0,320	0,700	1,080

Dimensões

Tipo	Descrição						
	Tamanho	0	1	2	3	4	5
A		4	5	6	8	10	10
B		28	42	64	73	113	123
C		11,5-15,5	13,0-14,5	26,0	25,7	41,0	41,5
D		4,6	5,2	5,6	6,5	8,5	8,5
D1		-	-	5,6	5,1	8,5	-
E		9,0	18,7	32,0	38,0	63,0	78,0
F		5,5	8,0	16,0	14,0	27,0	16,0
H		14,5	19,0	24,0	32,0	45,0	46,0
H1		23,0	30,0	45,0	48,5	75,0	73,0
H2		34	49	68	86	126	128
HW Min		-5,5	-3,0	-1,5	-2,0	-4,0	+1,7
HW Máx		0,0	2,5	5,0	9,0	24,0	25,0
I		7,5	10,0	13,2	15,0	20,0	25,0
K		6,3	5,5	6,0	7,0	8,0	12,5
L		-	-	12,7	13,0	20,5	-
L1		79	120	162	206	287	321
M		16	18,0-21,5	19,5-29,5	22,0-31,8	29,0-43,0	41,5
M1		-	-	28,5	31,6	43,0	-
N		25,0	34,0	42	45,5	58,0	58,0
P		25,5	34,0	38,0	50,0	57,0	77,0
α		90°	90°	90°	90°	90°	90°



☎ 234 661 888 📠 917 390 183 📞 234 661 889

🏠 Vale do Grou • E.N. 1 • Apartado 453 • 3754-909 Águeda • Portugal

✉ geral@permarind.com 🌐 www.permarind.com 📍 N 40.534139° W 8.448117°

Chamada para rede fixa nacional. Chamada para rede móvel nacional.

