

Sockets, type A, 3-pin

Technical data

FESTO

Plug socket MSSD-C

- For valves with D and N1 solenoid coils
- Cable connection with screw terminal



General technical data			
Type	MSSD-C	MSSD-C-M16	MSSD-C-TY-24DC
Electrical connection	Angled socket		
	3-pin		
	Screw terminal	Screw terminal	–
	Square design MSC/MSN1	Square design	Square design
	Type A	Type A	Type A
Electrical connection	To EN 175301-803	To EN 175301-803	To EN 175301-803
Switching position display	–	–	LED
Nominal operating voltage [V DC]	–	–	24
Cable connector	Pg9	M16	Pg11
Permissible cable diameter [mm]	6 ... 8	6 ... 8	8 ... 10
Connection cross section [mm ²]	Max. 1.5	Max. 1.5	Max. 1.5
Connection frequency	–	50	–
Type of mounting	Central screw M3	Central screw M3	Central screw M3
Mounting position	Any	Any	Any
Protection class to EN 60529	IP65 (assembled)	IP65 (assembled)	IP65 (assembled)
Product weight [g]	22	38	–

Materials			
Type	MSSD-C	MSSD-C-M16	MSSD-C-TY-24DC
Housing	Plastic	Reinforced PA	PA
Housing colour	Black	–	Transparent
Seals	–	HNBR	–
Note on materials	RoHS-compliant	–	–

Operating and environmental conditions			
Type	MSSD-C	MSSD-C-M16	MSSD-C-TY-24DC
Ambient temperature [°C]	–25 ... +90	–20 ... +115	–40 ... +90
CE marking (see declaration of conformity)	To EU Low Voltage Directive ¹⁾	–	–
Maritime classification ²⁾	See certificate	–	–

1) For information about the applicability of the component see the manufacturer's EC declaration of conformity at: www.festo.com/sp → Certificates.

If the component is subject to restrictions on usage in residential, office or commercial environments or small businesses, further measures to reduce the emitted interference may be necessary.

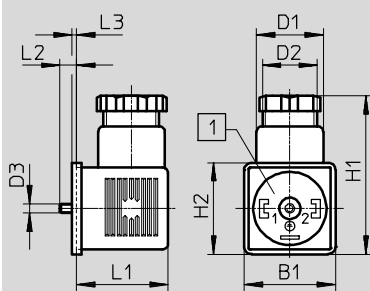
2) Additional information www.festo.com/sp → Certificates.

Sockets, type A, 3-pin

Technical data

Dimensions

Download CAD data → www.festo.com



1 Insert can be repositioned by 90°

Type	B1	D1 ∅	D2 ∅	D3 ∅	H1	H2	L1	L2	L3
MSSD-C	28	22	Pg9	M3	52	28	26.5	5.5	1.5
MSSD-C-M16	27	22	M16x 1.5	M3	52	27	27	5.5	1.5
MSSD-C-TY-24DC	30	22	Pg11	M3	52	30	30	5.5	1.5

Ordering data

Description	Switching status display	Nominal operating voltage	Cable connector	Part No.	Type
Plug socket for valves with D and N1 solenoid coils, 3-pin	-	-	Pg9	34583	MSSD-C
	-	-	M16	539709	MSSD-C-M16
	LED	24 V DC	Pg11	177617	MSSD-C-TY-24DC

Sockets, type A, 4-pin

Technical data

**Plug socket
MSSD-C**

- For valves with D and N1 solenoid coils
- Cable connection via clamping screws or insulation displacement technology



Special features of insulation displacement technology (MSSD-C-S-M16)

With these plug sockets, instead of the cable being connected using individual clamping screws, the flying

leads are pressed into the patented insulation displacement contact when the screw is tightened.

- Strip the cable sheath
- Push it in
- Screw it in tightly
- And you're done!

General technical data		
Type	MSSD-C-4P	MSSD-C-S-M16
Electrical connection	Angled socket	
	4-pin	
	–	Insulation displacement connector
	Square design MSC/MSN1	Square design
	Type A	Type A
Electrical connection	To EN 175301-803	–
Cable connector	Pg9	–
Permissible cable diameter [mm]	6 ... 8	5.5 ... 8
Connection cross section [mm ²]	Max. 1.5	0.5 ... 1
Connection frequency	–	10
Type of mounting	Central screw M3	Central screw M3
Mounting position	Any	Any
Protection class to EN 60529	IP65 (assembled)	IP67 (assembled)

Materials		
Type	MSSD-C-4P	MSSD-C-S-M16
Housing	Plastic	PA
Housing colour	Black	Black
Note on materials	RoHS-compliant	–

Operating and environmental conditions		
Type	MSSD-C-4P	MSSD-C-S-M16
Ambient temperature [°C]	–20 ... +90	–25 ... +90

Sockets, type A, 4-pin

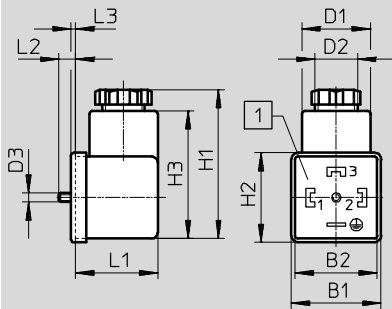
Technical data

FESTO

Dimensions

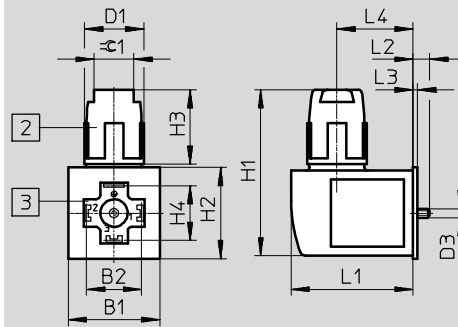
Download CAD data → www.festo.com

MSSD-C-4P



1 Insert can be repositioned by 90°

MSSD-C-S-M16



2 Union nut M16x1

3 Connection side can be repositioned by 90°

Type	B1	B2	D1 ∅	D2 ∅	D3 ∅	H1	H2	H3	H4	L1	L2	L3	L4	≈C1
MSSD-C-4P	29.5	27	22.5	Pg9	M3	49	29.5	42	–	27	5.5	1.5	–	–
MSSD-C-S-M16	30	18	19.5	–	M3	54.5	30	24.5	18	40	5.5	1.5	25	13

Ordering data

Description	Cable connection	Weight [g]	Part No.	Type
Plug socket for valves with D and N1 solenoid coils, 4-pin	–	22	171157	MSSD-C-4P
	Insulation displacement connector	38	192748	MSSD-C-S-M16

Electrical adapters NEFV, for valves

Technical data

Plug socket MSSD-EB

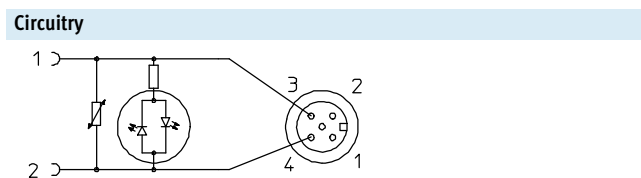
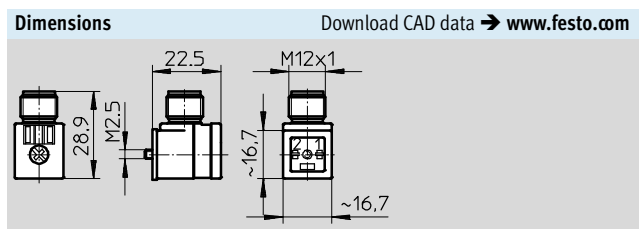
- Plug socket for connecting individual valves
- M12 plug connector for pre-assembled cable
- Socket, 2-pin
- With LED



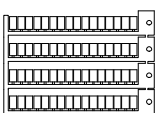
General technical data		
Electrical connection	1	Socket, to EN 175301-803 type C
	2	Straight plug, M12, 2-pin, A-coded
Based on standard	EN 61984, EN 175301-803, EN 61076-2-101	
Type of mounting	M2.5 central screw	
Operating voltage range	[V DC]	12 ... 24
	[V AC]	12 ... 24
Surge strength	[kV]	2.5
Acceptable current load	[A]	0.12
Signal status display	LED	
Max. tightening torque	[Nm]	0.4
Protection class to EN 60529	IP65 (assembled)	

Materials	
Housing	PA
Contacts	Brass
Seal	Nitrile rubber

Operating and environmental conditions		
Ambient temperature	[°C]	-10 ... +50
Degree of contamination	3	



Ordering data		
Electrical connection	Part No.	Type
Angled socket, 2-pin; straight plug, 2-pin, M12	188024	MSSD-EB-M12-MONO

Ordering data – Accessories			
	Description	Part No.	Type
	Inscription labels 6x10 mm, 64 pieces, in frames	18576	IBS-6x10

Plug connectors for self-assembly, socket, type B

Technical data

Plug socket MSSD-F

- For valves with F solenoid coils
- Cable connection via screw terminal or insulation displacement technology



General technical data			
Type	MSSD-F	MSSD-F-M16	MSSD-F-S-M16
Electrical connection	Angled socket	Angled socket	Socket
	3-pin	3-pin	3-pin
	Screw terminal	Screw terminal	Insulation displacement connector
	Square design MSF	Square design	–
	–	Type B to industry standard 11 mm	Type B
Cable connector	Pg9	M16x1.5	–
Permissible cable diameter [mm]	6 ... 8	6 ... 8	5.5 ... 8
Connection cross section [mm ²]	Max. 1.5	Max. 0.75	0.5 ... 1
Connection frequency	–	50	10
Type of mounting	M3 central screw	M3 central screw	M3 central screw
Mounting position	Any	Any	Any
Protection class to EN 60529	IP65 (assembled)	IP65 (assembled)	IP67 (assembled)

Technical data – Electrical			
Type	MSSD-F	MSSD-F-M16	MSSD-F-S-M16
Operating voltage range	[V DC]	–	0 ... 250
	[V AC]	–	0 ... 250
Surge resistance [kV]	–	2	–
Acceptable current load at 40 °C [A]	–	6	–
Degree of contamination	–	3	–

Materials			
Type	MSSD-F	MSSD-F-M16	MSSD-F-S-M16
Housing	Plastic	PA reinforced	PA
Housing colour	Black	Black	Black
Seals	–	HNBR	–
Note on materials	–	RoHS-compliant	–

Operating and environmental conditions			
Type	MSSD-F	MSSD-F-M16	MSSD-F-S-M16
Ambient temperature [°C]	–25 ... +90	–20 ... +115	–25 ... +90
CE marking (see declaration of conformity) ¹⁾	To EU Low Voltage Directive	–	–

1) Additional information www.festo.com/sp → Certificates.

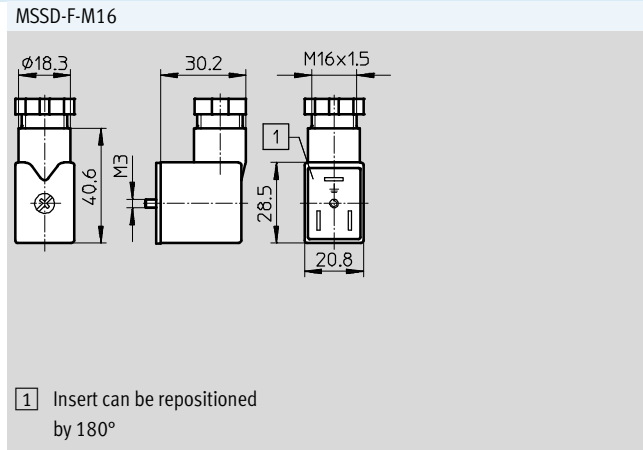
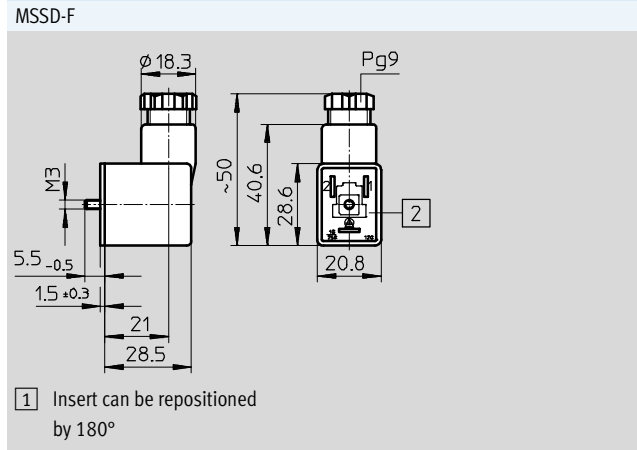
Plug connectors for self-assembly, socket, type B

Technical data

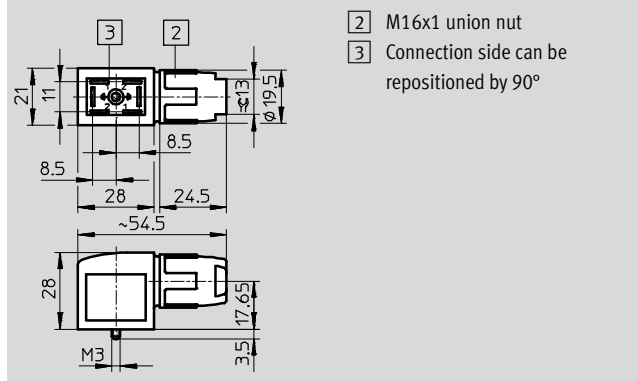
FESTO

Dimensions

Download CAD data → www.festo.com



MSSD-F-S-M16



With these plug sockets, instead of the cable being connected using individual clamping screws, the stranded wires are pressed into the patented insulation displacement contact when the screw is tightened.

- Strip the cable sheath
- Push it in
- Screw it in tightly
- And you're done!

Ordering data

Description	Cable connection	Weight	Part No.	Type
Plug socket for valves with F solenoid coils	Screw terminal	17 g	34431	MSSD-F
		35 g	539710	MSSD-F-M16
	Insulation displacement connector	35 g	192746	MSSD-F-S-M16