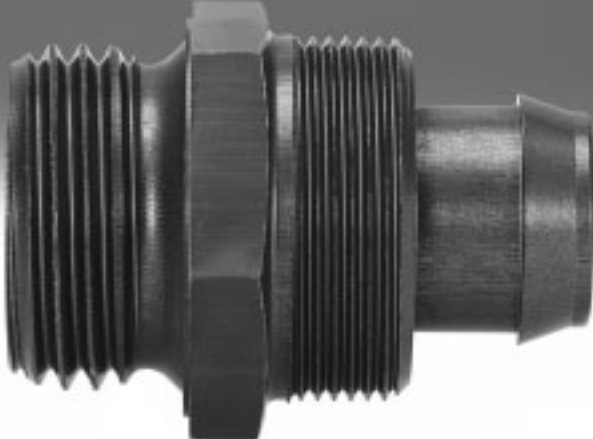


Quick connectors

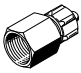




**FESTO**



# Quick connectors

Product range overview

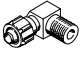

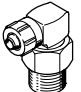

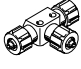

FESTO

Design	Design	Type	Connection D1		Tubing I.D.	→ Page/ Internet
			M thread	G thread		
Straight	<b>Quick connector – Female thread with sealing ring</b>					
		ACK Aluminium design	–	G $\frac{1}{8}$	3, 4, 6	5
				G $\frac{1}{4}$	4, 6	
				G $\frac{3}{8}$	6, 9	
				G $\frac{1}{2}$	13	
	<b>Quick connector – Male thread with sealing ring</b>					
		CK Metal design	M5	–	3, 4	6
			–	G $\frac{1}{8}$	3, 4, 6	
				G $\frac{1}{4}$	4, 6, 9	
				G $\frac{3}{8}$	6, 9, 13	
				G $\frac{1}{2}$	13	
		CK-...-KU Polymer design	–	G $\frac{1}{8}$	3, 4, 6	7
				G $\frac{1}{4}$	4, 6, 9	
				G $\frac{3}{8}$	6, 9	
	<b>Bulkhead quick connector – Female thread with sealing ring</b>					
		QCK	M5	–	PK-3	8
			–	G $\frac{1}{8}$	PK-4	
				G $\frac{1}{4}$	PK-6	
				G $\frac{3}{8}$	PK-9	
	<b>Bulkhead quick connector</b>					
		SCK Aluminium design	–	–	PK-3, PK-4, PK-6, PK-9	9
		SCK-...-KU Polymer design	–	–	PK-3, PK-4, PK-6, PK-9	9
	<b>End cap for plastic tube connectors and barbed connectors</b>					
	CV-PK	–	–	3, 4, 6, 9	10	

# Quick connectors

Product range overview

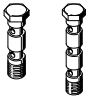

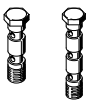

FESTO

Design	Design	Type	Connection D1			Tubing I.D.	→ Page/ Internet		
			M thread	R thread	G thread				
L-shape	<b>Elbow quick connector</b>								
		GCK-...-KU Polymer design	-	R 1/8	-	-	4, 6	11	
				R 1/4			4, 6		
				R 3/8			6, 9		
	<b>Elbow quick connector with 2 sealing rings, orientable</b>								
		LCK Metal design	M5	-	-	-	3, 4	12	
							G 1/8		3, 4, 6
							G 1/4		4, 6, 9
							G 3/8		6, 9, 13
							G 1/2		13
	LCK-...-KU Polymer design	-	-	-	-	G 1/8	4, 6	12	
							G 1/4		4, 6
<b>Elbow quick connector with sealing ring, orientable</b>									
	LCKN Metal design	M5	-	-	-	3, 4	13		
						G 1/8		3, 4, 6	
						G 1/4		4, 6	
						G 3/8		6	
T-shape	<b>T quick connector with 2 sealing rings, orientable</b>								
		TCK Metal design	M5	-	-	-	3, 4	14	
							G 1/8		3, 4, 6
							G 1/4		4, 6
							G 3/8		6, 9
							G 1/2		13
	TCK-...-KU Polymer design	-	-	-	-	G 1/8	4, 6	14	
							G 1/4		4, 6
	<b>T-distributor</b>								
		FCK-...-KU	-	-	-	-	3	15	
4									
6									
9									
<b>Union nut for CK tube connector</b>									
	MCK Metal design	-	-	-	-	3, 4, 6, 9, 13	16		
	MCK-...-KU Polymer design	-	-	-	-	3, 4, 6, 9	16		

# Quick connectors

Product range overview

FESTO

Design	Design	Type	Connection D1		Tubing I.D.	→ Page/ Internet
			M thread	G thread		
Multiple distributor	<b>Combination hollow bolt VT with ring piece LK</b>					
		VT-...-2 for 2 ring pieces	M5	G $\frac{1}{8}$ , G $\frac{1}{4}$ , G $\frac{3}{8}$	–	17
		VT-...-3 for 3 ring pieces	M5	G $\frac{1}{8}$ , G $\frac{1}{4}$ , G $\frac{3}{8}$	–	17
		LK Metal design	–	–	3, 4, 6	17
		LK-...-KU Polymer design	–	–	4, 6	17
	<b>Combination hollow bolt VT with ring piece TK</b>					
		VT-...-2 for 2 ring pieces	M5	G $\frac{1}{8}$ , G $\frac{1}{4}$ , G $\frac{3}{8}$	–	18
		VT-...-3 for 3 ring pieces	M5	G $\frac{1}{8}$ , G $\frac{1}{4}$ , G $\frac{3}{8}$	–	18
		TK Metal design	–	–	3, 4, 6	18
		TK-...-KU Polymer design	–	–	4, 6	18

# Quick connectors ACK

Technical data

**Quick connector ACK**  
Female thread with sealing ring

Materials:  
Threaded plug: Aluminium  
Union nut: Aluminium

Note on materials:  
RoHS-compliant

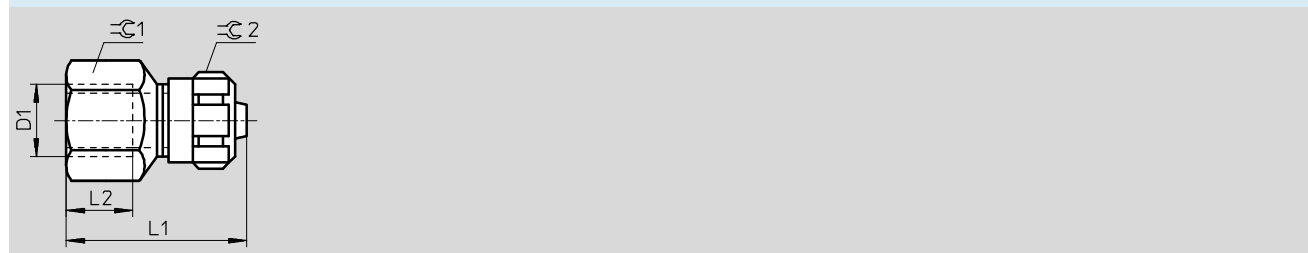


General technical data	
Mounting position	Any
Type of seal on threaded plug	Sealing ring

Operating and environmental conditions	
Operating medium	Compressed air in accordance with ISO 8573-1:2010 [7:-:-]
	Water as per manufacturer's declaration at <a href="http://www.festo.com">www.festo.com</a>
Note on operating/pilot medium	Operation with lubricated medium possible
Ambient temperature [°C]	-10 ... +60
Corrosion resistance class CRC <sup>1)</sup>	2

1) Corrosion resistance class CRC 2 to Festo standard FN 940070  
Moderate corrosion stress. Indoor applications in which condensation may occur. External visible parts with primarily decorative requirements for the surface and which are in direct contact with the ambient atmosphere typical for industrial applications.

**Dimensions** Download CAD data → [www.festo.com](http://www.festo.com)



Ordering data			Nominal size [mm]	L1	L2	⌀1	⌀2	Part No.	Type	PU <sup>1)</sup>
Pneumatic connection	Female thread	For tubing O.D. [mm]								
G1/8	D1	For tubing I.D. [mm]	2.4	23.9	9	13	8	5664	ACK-1/8-PK-3	10
		4	3.4	27	9	13	12	3714	ACK-1/8-PK-4	10
		6	5.3	27	9	13	14	7842	ACK-1/8-PK-6	10
G1/4	D1	For tubing I.D. [mm]	3.4	30	12	17	12	3713	ACK-1/4-PK-4	10
		6	5.3	30	12	17	14	3712	ACK-1/4-PK-6	10
G3/8	D1	For tubing I.D. [mm]	5.3	31	12	19	14	3711	ACK-3/8-PK-6	10
		8	8	37.4	15	19	19	3710	ACK-3/8-PK-9	10
G1/2	D1	13	12	40.2	15	27	24	4099	ACK-1/2-PK-13	1

1) Packaging unit quantity

# Quick connectors CK

Technical data

FESTO

## Quick connector CK

Metal design

Male thread with sealing ring

Materials:

Threaded plug

M thread: Galvanised steel

G thread: Aluminium

Union nut: Aluminium

Note on materials:

RoHS-compliant



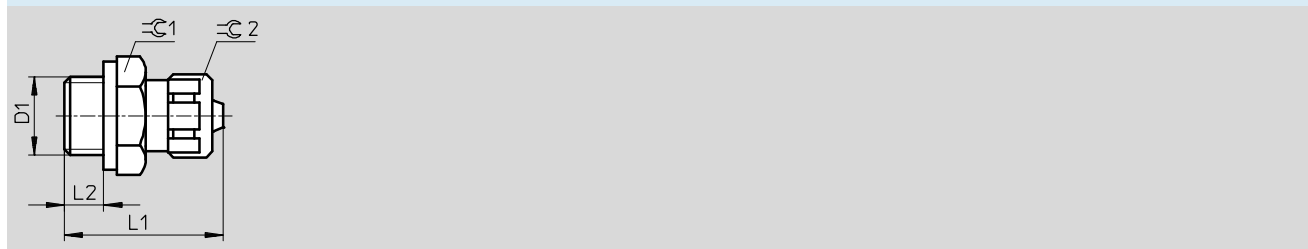
General technical data	
Mounting position	Any
Type of seal on threaded plug	Sealing ring

Operating and environmental conditions	
Operating medium	Compressed air in accordance with ISO 8573-1:2010 [7:-:-]
	Water as per manufacturer's declaration at <a href="http://www.festo.com">www.festo.com</a>
Note on operating/pilot medium	Operation with lubricated medium possible
Ambient temperature [°C]	-10 ... +60
Corrosion resistance class CRC <sup>1)</sup>	2
Certification	Germanischer Lloyd

1) Corrosion resistance class CRC 2 to Festo standard FN 940070

Moderate corrosion stress. Indoor applications in which condensation may occur. External visible parts with primarily decorative requirements for the surface and which are in direct contact with the ambient atmosphere typical for industrial applications.

## Dimensions Download CAD data → [www.festo.com](http://www.festo.com)



Ordering data										
Pneumatic connection			Nominal size [mm]	L1	L2	C	C1	Part No.	Type	PU <sup>1)</sup>
Male thread	For tubing O.D. [mm]	For tubing I.D. [mm]								
M5	4	-	2.0	19.3	3.8	7	8	3561	CK-M5-PK-3	10
	6	-	2.9	21.5	3.8	10	-	3562	CK-M5-PK-4	10
G <sup>1</sup> / <sub>8</sub>	4	-	2.0	21.6	4.9	13	8	3563	CK- <sup>1</sup> / <sub>8</sub> -PK-3	10
	6	-	2.9	24.7	4.9	13	12	2027	CK- <sup>1</sup> / <sub>8</sub> -PK-4	10
	8	-	4.9	24.8	4.9	13	14	2028	CK- <sup>1</sup> / <sub>8</sub> -PK-6	10
G <sup>1</sup> / <sub>4</sub>	6	-	2.9	27.2	5.8	17	12	2029	CK- <sup>1</sup> / <sub>4</sub> -PK-4	10
	8	-	4.9	27.3	5.8	17	14	2030	CK- <sup>1</sup> / <sub>4</sub> -PK-6	10
	-	9	8	30.6	5.8	17	19	2031	CK- <sup>1</sup> / <sub>4</sub> -PK-9	10
	-	13	11.7	33.2	6.8	19	19	2032	CK- <sup>3</sup> / <sub>8</sub> -PK-6	10
G <sup>3</sup> / <sub>8</sub>	8	-	4.9	28.3	6.8	19	14	2033	CK- <sup>3</sup> / <sub>8</sub> -PK-9	10
	-	9	8	31.6	6.8	19	19	4097	CK- <sup>3</sup> / <sub>8</sub> -PK-13	10
	-	13	11.7	33.2	6.8	24	24	4098	CK- <sup>1</sup> / <sub>2</sub> -PK-13	1
G <sup>1</sup> / <sub>2</sub>	-	13	11.7	34.7	8.5	24	24			

1) Packaging unit quantity

# Quick connectors CK

Technical data

FESTO

## Quick connector CK-...-KU

Polymer design

Male thread with moulded-on sealing edge

Materials:

Threaded plug: POM

Union nut: POM

Note on materials:

RoHS-compliant



### General technical data

Mounting position	Any
Type of seal on threaded plug	Sealing edge

### Operating and environmental conditions

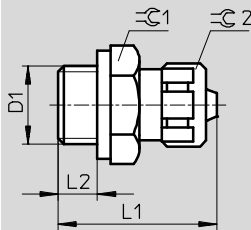
Operating pressure [bar]	0 ... 10
Operating medium	Compressed air in accordance with ISO 8573-1:2010 [7:-:-] Water as per manufacturer's declaration at <a href="http://www.festo.com">www.festo.com</a>
Note on operating/pilot medium	Operation with lubricated medium possible
Ambient temperature [°C]	-10 ... +60
Corrosion resistance class CRC <sup>1)</sup>	2
Certification	Germanischer Lloyd

1) Corrosion resistance class CRC 2 to Festo standard FN 940070

Moderate corrosion stress. Indoor applications in which condensation may occur. External visible parts with primarily decorative requirements for the surface and which are in direct contact with the ambient atmosphere typical for industrial applications.

### Dimensions

Download CAD data → [www.festo.com](http://www.festo.com)



### Ordering data

Pneumatic connection			Nominal size [mm]	L1	L2	C	C1	Part No.	Type	PU <sup>1)</sup>
Male thread D1	For tubing O.D. [mm]	For tubing I.D. [mm]								
G <sup>1</sup> / <sub>8</sub>	4	–	2.4	22.2	6.5	13	8	6253	CK- <sup>1</sup> / <sub>8</sub> -PK-3-KU	10
	6	–	3.4	25.3	6.5	13	12	6254	CK- <sup>1</sup> / <sub>8</sub> -PK-4-KU	10
	8	–	4.4	25.4	6.5	13	14	6255	CK- <sup>1</sup> / <sub>8</sub> -PK-6-KU	10
G <sup>1</sup> / <sub>4</sub>	6	–	3.4	28.5	8.5	17	12	6256	CK- <sup>1</sup> / <sub>4</sub> -PK-4-KU	10
	8	–	5.3	28.6	8.5	17	14	6257	CK- <sup>1</sup> / <sub>4</sub> -PK-6-KU	10
	–	9	7.3	31.9	8.5	17	19	6258	CK- <sup>1</sup> / <sub>4</sub> -PK-9-KU	10
G <sup>3</sup> / <sub>8</sub>	8	–	5.3	31	10.5	19	14	6460	CK- <sup>3</sup> / <sub>8</sub> -PK-6-KU	10
	–	9	8	34.5	10.5	19	19	6468	CK- <sup>3</sup> / <sub>8</sub> -PK-9-KU	10

1) Packaging unit quantity

# Bulkhead quick connectors QCK

Technical data

FESTO

**Bulkhead quick connector QCK**  
Female thread with sealing ring

Materials:  
Housing: Aluminium

Note on materials:  
RoHS-compliant  
Free of copper and PTFE



General technical data	
Mounting position	Any
Type of seal on threaded plug	Sealing ring

Operating and environmental conditions	
Operating medium	Compressed air in accordance with ISO 8573-1:2010 [7:-:-]
Note on operating/pilot medium	Operation with lubricated medium possible

## Dimensions Download CAD data → [www.festo.com](http://www.festo.com)



Ordering data														
Pneumatic connection		Nominal size [mm]	B1	D5	L1	L2	L3	L4 max.	≈C1	≈C2	≈C3	Part No.	Type	PU <sup>1)</sup>
M5	PK-3 <sup>2)</sup>	2.4	3.2	M6x0.75	31	6	10	8	7	8	10	9424	QCK-M5-PK-3-B	10
G <sup>1</sup> / <sub>8</sub>	PK-4 <sup>2)</sup>	3.4	3.5	M10x1	40	8	13.5	10	13	12	13	9425	QCK- <sup>1</sup> / <sub>8</sub> -PK-4-B	10
G <sup>1</sup> / <sub>4</sub>	PK-6 <sup>2)</sup>	5.3	4	M12x1	45	12	18	10	17	14	17	9426	QCK- <sup>1</sup> / <sub>4</sub> -PK-6-B	10
G <sup>3</sup> / <sub>8</sub>	PK-9 <sup>2)</sup>	8	5	M16x1	50	12	18.6	10	19	19	22	9427	QCK- <sup>3</sup> / <sub>8</sub> -PK-9-B	1

1) Packaging unit quantity  
2) With union nut



# Bulkhead quick connectors SCK

Technical data

**Bulkhead quick connector SCK**

Materials:

**Bulkhead quick connector SCK-...-KU**

Housing

SCK: Aluminium

with moulded-on sealing ring

SCK-...-KU: POM

Note on materials:

RoHS-compliant

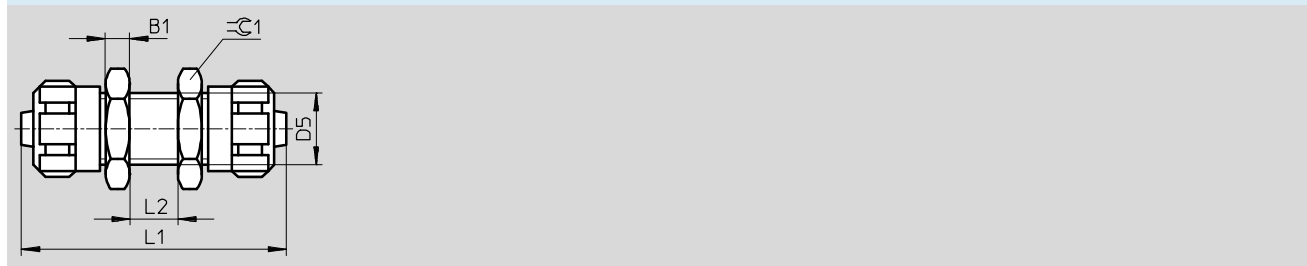
Free of copper and PTFE



General technical data	
Mounting position	Any

Operating and environmental conditions		
Operating pressure	[bar]	0 ... +10
Ambient temperature	[°C]	-10 ... +60

**Dimensions** Download CAD data → [www.festo.com](http://www.festo.com)



Ordering data									
Pneumatic connection	Nominal size [mm]	B1	D5	L1	L2 max.	≡C1	Part No.	Type	PU <sup>1)</sup>
<b>Aluminium design</b>									
PK-3 <sup>2)</sup>	2.4	3.2	M6x0.75	34	8	10	9420	SCK-PK-3	10
PK-4 <sup>2)</sup>	3.4	3.5	M10x1	43	10	13	9421	SCK-PK-4	10
PK-6 <sup>2)</sup>	5.3	4	M12x1	44	10	17	9422	SCK-PK-6	10
PK-9 <sup>2)</sup>	8	5	M16x1	53	10	22	9423	SCK-PK-9	1
<b>Polymer design</b>									
PK-3 <sup>2)</sup>	2.4	5	M10x1 <sup>3)</sup>	41	10	13	9387	SCK-PK-3-KU	10
PK-4 <sup>2)</sup>	3.4	5	M10x1	46	10	13	9388	SCK-PK-4-KU	10
PK-6 <sup>2)</sup>	5.3	6	M12x1	48	10	17	9389	SCK-PK-6-KU	10
PK-9 <sup>2)</sup>	8	7	M16x1	57	10	22	9390	SCK-PK-9-KU	1

- 1) Packaging unit quantity
- 2) With union nut
- 3) Installation diameter varies from aluminium version

# End caps CV

Technical data

## End cap CV

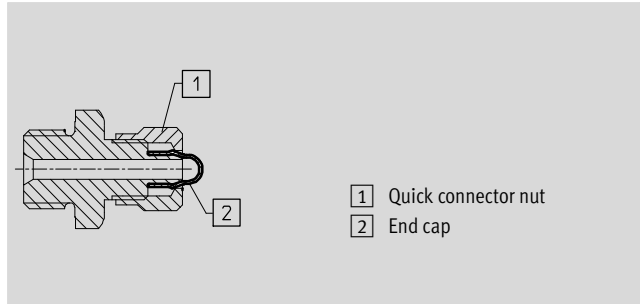
for sealing barbed fittings and connectors for polymer tubing

Material:

Polyurethane

Free of copper and PTFE

Conforms to RoHS



- 1 Quick connector nut
- 2 End cap

Dimensions and ordering data				
Tubing I.D.	Weight/piece [g]	Part No.	Type	PU*
3	0.001	6213	CV-PK-3-B	10
4	0.001	6214	CV-PK-4-B	10
6	0.001	6215	CV-PK-6-B	10
9	0.002	6216	CV-PK-9-B	10

Operating conditions (permissible static pressure)								
Type	CV-PK-3-B ... CV-PK-6-B						CV-PK-9-B	
Operating pressure [bar]	10	10	8	7	6	6	6	4
Ambient temperature [°C]	-35	+20	+40	+60	+80	+60	+60	+80

\* Packaging unit quantity

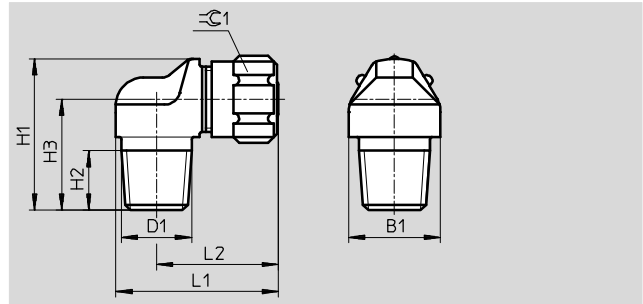
# Elbow quick connectors GCK

Technical data

## Elbow quick connector GCK-...-KU

Material:  
Polyacetate  
Free of copper and PTFE  
Conforms to RoHS

Pressure range: 0 ... 10 bar  
Temperature range: -10 ... +60 °C



Dimensions and ordering data												
Connection D1	Nominal size [mm]	Tubing I.D.	B1	H1	H2	H3	L1	L2	$\varnothing C1$	Part No.	Type	PU*
R $\frac{1}{8}$	2.9	4	13	22.5	8	16.5	26.5	20.5	20.5	<b>6267</b>	<b>GCK-<math>\frac{1}{8}</math>-PK-4-KU</b>	<b>10</b>
	4.9	6	17	24.5	8	17.5	28.5	21.5	21.5	<b>6268</b>	<b>GCK-<math>\frac{1}{8}</math>-PK-6-KU</b>	<b>10</b>
R $\frac{1}{4}$	2.9	4	17	25.5	11	19.5	30	22.5	22.5	<b>6269</b>	<b>GCK-<math>\frac{1}{4}</math>-PK-4-KU</b>	<b>10</b>
	4.9	6	17	27.5	11	20.5	30	22.5	22.5	<b>6270</b>	<b>GCK-<math>\frac{1}{4}</math>-PK-6-KU</b>	<b>10</b>
R $\frac{3}{8}$	4.9	6	19	28.5	10.5	21	34	24.5	24.5	<b>6271</b>	<b>GCK-<math>\frac{3}{8}</math>-PK-6-KU</b>	<b>10</b>
	8	9	19	33.5	10.5	23.5	37.2	27.7	27.7	<b>6272</b>	<b>GCK-<math>\frac{3}{8}</math>-PK-9-KU</b>	<b>10</b>

\* Packaging unit quantity

# L quick connectors LCK

Technical data

FESTO

**L quick connector LCK**  
with 2 sealing rings  
Orientable

Materials:  
Housing  
LCK: Die-cast zinc  
LCK-...-KU: POM

**L quick connector LCK-...-KU**  
with moulded-on sealing edge  
Orientable

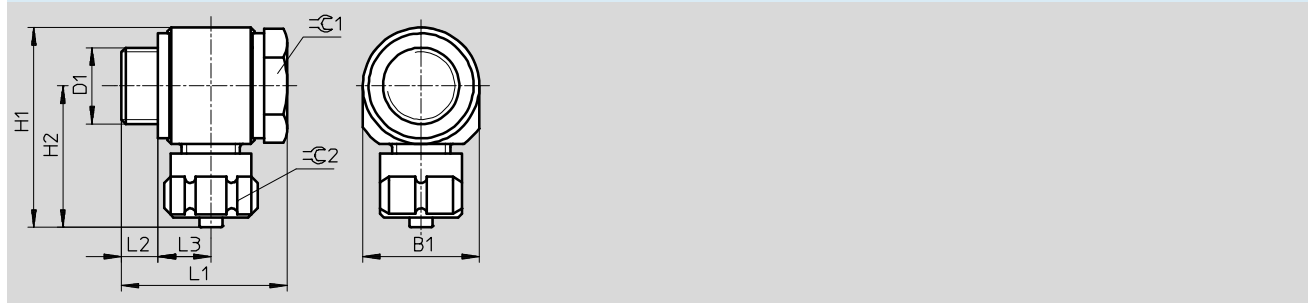
Note on materials:  
RoHS-compliant  
Free of copper and PTFE



General technical data		
Type	LCK	LCK-...-KU
Mounting position	Any	
Type of seal on threaded plug	Sealing ring	Sealing edge

Operating and environmental conditions		
Operating pressure [bar]	0 ... +16	
Ambient temperature [°C]	-10 ... +60	

## Dimensions Download CAD data → [www.festo.com](http://www.festo.com)



Ordering data													
Pneumatic connection		Nominal size [mm]	B1	H1	H2	L1	L2	L3	≙C1	≙C2	Part No.	Type	PU <sup>2)</sup>
Die-cast zinc design													
M5	PK-3 <sup>1)</sup>	2.4	10	21.1	16.1	17.2	3.8	5.2	7	8	4468	LCK-M5-PK-3	10
	PK-4 <sup>1)</sup>	2.4	11	21.1	16.1	18	3.8	5.6	7	8	4562	LCK-M5-PK-4	10
G <sup>1</sup> / <sub>8</sub>	PK-3 <sup>1)</sup>	2	16	27.1	19.1	21.1	4.9	6.1	13	8	4136	LCK- <sup>1</sup> / <sub>8</sub> -PK-3	10
	PK-4 <sup>1)</sup>	2.9	16	30.2	22.2	27.1	4.9	9.1	13	12	4469	LCK- <sup>1</sup> / <sub>8</sub> -PK-4	10
	PK-6 <sup>1)</sup>	4.9	16	30.3	22.3	27.1	4.9	9.1	13	14	4470	LCK- <sup>1</sup> / <sub>8</sub> -PK-6	10
G <sup>1</sup> / <sub>4</sub>	PK-4 <sup>1)</sup>	2.9	20	34.2	24.2	28.1	5.7	9.2	17	12	4471	LCK- <sup>1</sup> / <sub>4</sub> -PK-4	10
	PK-6 <sup>1)</sup>	4.9	20	34.3	24.3	28.1	5.5	9.3	17	14	4472	LCK- <sup>1</sup> / <sub>4</sub> -PK-6	10
	PK-9 <sup>1)</sup>	8	20	37.6	27.6	33.3	5.7	11.8	17	19	11452	LCK- <sup>1</sup> / <sub>4</sub> -PK-9	10
G <sup>3</sup> / <sub>8</sub>	PK-6 <sup>1)</sup>	4.9	25	39.3	26.8	30.3	6.7	9.3	22	14	4473	LCK- <sup>3</sup> / <sub>8</sub> -PK-6	1
	PK-9 <sup>1)</sup>	8	25	42.6	30.1	35.3	6.7	11.8	22	19	4474	LCK- <sup>3</sup> / <sub>8</sub> -PK-9	1
G <sup>1</sup> / <sub>2</sub>	PK-13 <sup>1)</sup>	11.7	30	49.2	34.2	46.6	7.9	16.85	27	24	4100	LCK- <sup>1</sup> / <sub>2</sub> -PK-13	1
Polymer design													
G <sup>1</sup> / <sub>8</sub>	PK-4 <sup>1)</sup>	3.4	16	30.5	22.5	27.5	7.1	8.25	13	12	6259	LCK- <sup>1</sup> / <sub>8</sub> -PK-4-KU	10
	PK-6 <sup>1)</sup>	5.3	16	30.5	22.5	27.5	7.1	8.25	13	14	6260	LCK- <sup>1</sup> / <sub>8</sub> -PK-6-KU	10
G <sup>1</sup> / <sub>4</sub>	PK-4 <sup>1)</sup>	3.4	20	34.5	24.5	28.5	8.1	8.25	17	12	6261	LCK- <sup>1</sup> / <sub>4</sub> -PK-4-KU	10
	PK-6 <sup>1)</sup>	5.3	20	34.5	24.5	28.5	8.1	8.25	17	14	6262	LCK- <sup>1</sup> / <sub>4</sub> -PK-6-KU	10

1) With union nut

2) Packaging unit quantity

# L quick connectors LCKN

Technical data

FESTO

**L quick connector LCKN**  
with sealing ring OL  
Orientable

Materials:  
Housing: Die-cast zinc

Note on materials:  
RoHS-compliant



## General technical data

Mounting position	Any
Type of seal on threaded plug	Sealing ring

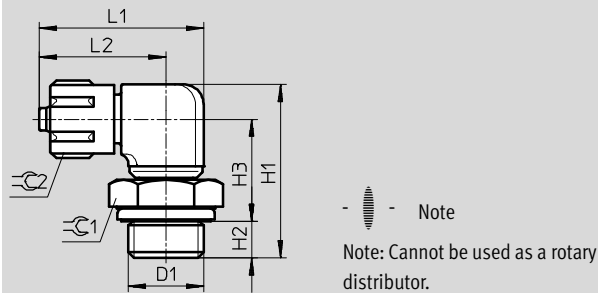
## Operating and environmental conditions

Operating pressure [bar]	-0.9 ... +16
Operating medium	Compressed air in accordance with ISO 8573-1:2010 [7:-:-]
Note on operating/pilot medium	Operation with lubricated medium possible (in which case lubricated operation will always be required)
Ambient temperature [°C]	-20 ... +80
Corrosion resistance class CRC <sup>1)</sup>	2

1) CRC2: Corrosion resistance class to Festo standard 940 070  
Components with medium corrosion exposure. Externally visible components with significant decorative function in direct contact with normal industrial atmosphere or media such as coolants and lubricants.

## Dimensions

Download CAD data → [www.festo.com](http://www.festo.com)



## Ordering data

Pneumatic connection D1		Nominal size [mm]	H1	H2	H3	L1	L2	≙C1	≙C2	Part No.	Type	PU <sup>2)</sup>
M5	PK-3 <sup>1)</sup>	1.7	22.2	3.55	15.15	20.1	16.1	7	8	164995	LCKN-M5-PK-3	10
	PK-4 <sup>1)</sup>	2.6	24.3	3.55	15.75	23.2	19.2	7	-	164996	LCKN-M5-PK-4	10
G <sup>1</sup> / <sub>8</sub>	PK-3 <sup>1)</sup>	1.7	24.6	4.7	15.9	25.4	18.9	13	8	164997	LCKN- <sup>1</sup> / <sub>8</sub> -PK-3	10
	PK-4 <sup>1)</sup>	2.6	27	4.7	16.3	28.5	22	13	12	164998	LCKN- <sup>1</sup> / <sub>8</sub> -PK-4	10
	PK-6 <sup>1)</sup>	4.6	30.3	4.7	18.6	28.6	22.1	13	14	164999	LCKN- <sup>1</sup> / <sub>8</sub> -PK-6	10
G <sup>1</sup> / <sub>4</sub>	PK-4 <sup>1)</sup>	2.6	29.5	5.8	17.7	28.5	22	17	12	165000	LCKN- <sup>1</sup> / <sub>4</sub> -PK-4	10
	PK-6 <sup>1)</sup>	4.6	32.8	5.8	20.0	28.6	22.1	17	14	165001	LCKN- <sup>1</sup> / <sub>4</sub> -PK-6	10
G <sup>3</sup> / <sub>8</sub>	PK-6 <sup>1)</sup>	4.6	33.8	6.0	20.8	28.6	22.1	19	14	165002	LCKN- <sup>3</sup> / <sub>8</sub> -PK-6	1

1) With union nut  
2) Packaging unit quantity

# T quick connectors TCK

Technical data

FESTO

**T quick connector TCK**  
with 2 sealing rings  
Orientable

Materials:  
Housing  
TCK: Die-cast zinc  
TCK-...-KU: POM  
Union nut  
TCK: Aluminium  
TCK-...-KU: POM

**T quick connector TCK-...-KU**  
with moulded-on sealing ring  
Orientable

Note on materials:  
RoHS-compliant

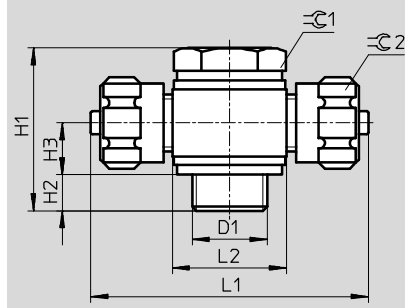


General technical data		
Type	TCK	TCK-...-KU
Mounting position	Any	
Type of seal on threaded plug	Sealing ring	Sealing edge

Operating and environmental conditions		
Operating pressure [bar]	0 ... +10	
Ambient temperature [°C]	-10 ... +60	

## Dimensions

Download CAD data → [www.festo.com](http://www.festo.com)



Ordering data												
Pneumatic connection	Nominal size	H1	H2	H3	L1	L2	1	2	Part No.	Type	PU <sup>2)</sup>	
D1	[mm]											
<b>Die-cast zinc design</b>												
M5	PK-3 <sup>1)</sup>	2	17.2	3.8	5.2	32.2	10	7	8	4484	TCK-M5-PK-3	10
	PK-4 <sup>1)</sup>	2	18	3.8	5.6	39.4	11	7	8	4563	TCK-M5-PK-4	10
G <sup>1</sup> / <sub>8</sub>	PK-3 <sup>1)</sup>	2	21.1	4.9	6.1	38.2	16	13	8	4137	TCK- <sup>1</sup> / <sub>8</sub> -PK-3	10
	PK-4 <sup>1)</sup>	2.9	27.1	4.9	9.1	44.4	16	13	12	4485	TCK- <sup>1</sup> / <sub>8</sub> -PK-4	10
	PK-6 <sup>1)</sup>	4.9	27.1	4.9	9.1	44.6	16	13	14	4486	TCK- <sup>1</sup> / <sub>8</sub> -PK-6	10
G <sup>1</sup> / <sub>4</sub>	PK-4 <sup>1)</sup>	2.9	28.1	5.7	9.2	48.4	20	17	12	4487	TCK- <sup>1</sup> / <sub>4</sub> -PK-4	10
	PK-6 <sup>1)</sup>	4.9	28.1	5.5	9.3	48.6	20	17	14	4488	TCK- <sup>1</sup> / <sub>4</sub> -PK-6	10
G <sup>3</sup> / <sub>8</sub>	PK-6 <sup>1)</sup>	4.9	30.3	6.7	9.3	53.6	25	22	14	4489	TCK- <sup>3</sup> / <sub>8</sub> -PK-6	1
	PK-9 <sup>1)</sup>	8	35.3	6.7	11.8	60.2	25	22	14	4490	TCK- <sup>3</sup> / <sub>8</sub> -PK-9	1
G <sup>1</sup> / <sub>2</sub>	PK-13 <sup>1)</sup>	11.7	46.6	7.9	16.9	68.4	30	27	24	4101	TCK- <sup>1</sup> / <sub>2</sub> -PK-13	1
<b>Polymer design</b>												
G <sup>1</sup> / <sub>8</sub>	PK-4 <sup>1)</sup>	3.4	27.5	7.1	8.25	45	16	13	12	6263	TCK- <sup>1</sup> / <sub>8</sub> -PK-4-KU	10
	PK-6 <sup>1)</sup>	5.3	27.5	7.1	8.25	45	16	13	14	6264	TCK- <sup>1</sup> / <sub>8</sub> -PK-6-KU	10
G <sup>1</sup> / <sub>4</sub>	PK-4 <sup>1)</sup>	3.4	28.5	8.1	8.25	49	20	17	12	6265	TCK- <sup>1</sup> / <sub>4</sub> -PK-4-KU	10
	PK-6 <sup>1)</sup>	5.3	28.5	8.1	8.25	49	20	17	14	6266	TCK- <sup>1</sup> / <sub>4</sub> -PK-6-KU	10

1) With union nut

2) Packaging unit quantity

# T quick connectors FCK

Technical data

## T-distributor FCK-...-KU

Material:

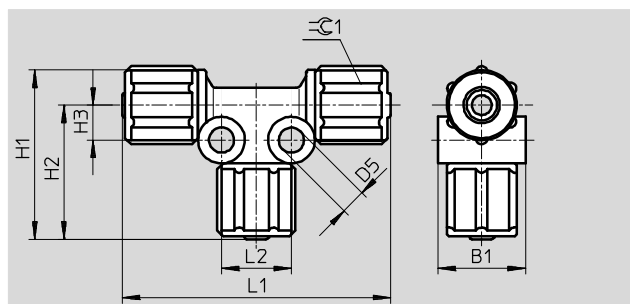
Polymer

Free of copper and PTFE

Conforms to RoHS

Pressure range: 0 ... 10 bar

Temperature range: -10 ... +60 °C



### Dimensions and ordering data

Tubing I.D.	Nominal size [mm]	B1	D5	H1	H2	H3	L1	L2	≅1	Part No.	Type	PU*
3	2.4	11	4.3	23.8	19.8	5	39.6	10	8	6273	FCK-3-PK-3-KU	10
4	3.4	15	4.3	30.2	24.2	6	48.4	12	12	6274	FCK-3-PK-4-KU	10
6	5.3	18	4.3	31.2	24.2	6	48.4	12	14	6275	FCK-3-PK-6-KU	10
9	8	22	4.3	38.3	28.8	7.1	56.4	13	19	6276	FCK-3-PK-9-KU	10

\* Packaging unit quantity

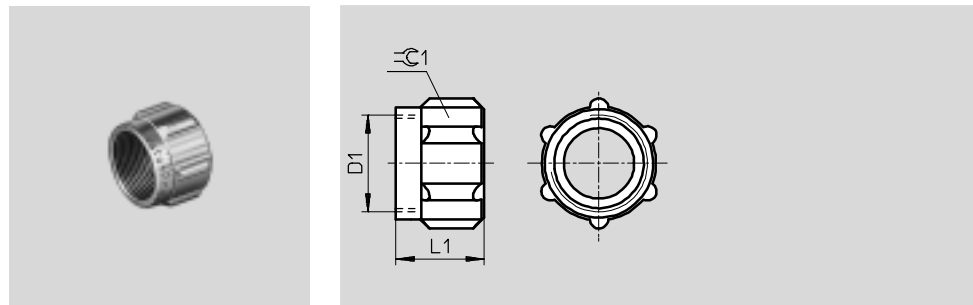
# Union nuts MCK

Technical data

FESTO

**Union nut MCK**  
for tube connectors

Material:  
Blue anodised aluminium  
Free of copper and PTFE  
Conforms to RoHS



**Union nut MCK-...-KU**  
for tube connectors

Material:  
Polymer design  
Free of copper and PTFE  
Conforms to RoHS

Dimensions and ordering data						
Tubing I.D.	D1	L1	$\approx C1$	Part No.	Type	PU*
Aluminium design						
3	M6x0.75	8.5	8	205254	MCK-PK-3	1
4	M10x1	11	12	2965	MCK-PK-4 <sup>1)</sup>	1
4	M8x1	9.5	-	205257	MCK-PK-4-R <sup>2)</sup>	1
6	M12x1	11	14	2966	MCK-PK-6	1
9	M16x1	14.4	19	2967	MCK-PK-9	1
13	M22x1	18	24	206504	MCK-PK-13	1
Polymer design						
3	M6x0.75	9.5	8	211289	MCK-PK-3-KU	1
4	M10x1	12.5	12	211291	MCK-PK-4-KU <sup>1)</sup>	1
6	M12x1	12.5	14	211292	MCK-PK-6-KU	1
9	M16x1	16	19	211293	MCK-PK-9-KU	1

\* Packaging unit quantity

1) except for connectors CK-M5-PK-4, LCK-M5-PK-4, TCK-M5-PK-4

2) for connectors CK-M5-PK-4, LCK-M5-PK-4, TCK-M5-PK-4



# Multiple distributors

Technical data

FESTO

**Hollow bolt VT with ring piece LK**  
(one outlet connection)

Certification:

Ring piece LK: Germanischer Lloyd

Materials:

Hollow bolt: Galvanised steel

Ring piece LK: Die-cast zinc

Ring piece LK-...-KU: Polymer

Note on materials:

Conforms to RoHS



VT



LK

Ordering data				Dimensions → 19			
Hollow bolt				Ring piece			
Pneumatic connection	No. of ring pieces	Part No.	Type	Pneumatic connection	Part No.	Type	PU*
<b>Die-cast zinc design</b>							
M5	2	206145	VT-M5-2 <sup>3)</sup>	PK-3 with union nut	4475	LK-M5-PK-3 <sup>1)</sup>	10
	3	4594	VT-M5-3 <sup>3)</sup>		4597	LK-1/8-PK-3 <sup>1)</sup>	
G1/8	2	4593	VT-1/8-2-PK-3 <sup>3)</sup>	PK-3 with union nut	4476	LK-1/8-PK-4 <sup>1)</sup>	10
	3	4595	VT-1/8-3-PK-3 <sup>3)</sup>		4477	LK-1/8-PK-6 <sup>1)</sup>	
G1/8	2	206146	VT-1/8-2 <sup>3)</sup>	PK-4 with union nut	4478	LK-1/4-PK-4 <sup>1)</sup>	10
	3	4596	VT-1/8-3 <sup>3)</sup>		4479	LK-1/4-PK-6 <sup>1)</sup>	
G1/8	2	206146	VT-1/8-2 <sup>3)</sup>	PK-6 with union nut	4480	LK-3/8-PK-6 <sup>1)</sup>	10
	3	4596	VT-1/8-3 <sup>3)</sup>				
G1/4	2	206147	VT-1/4-2 <sup>3)</sup>	PK-4 with union nut			10
	3	2335	VT-1/4-3 <sup>3)</sup>				
G1/4	2	206147	VT-1/4-2 <sup>3)</sup>	PK-6 with union nut			10
	3	2335	VT-1/4-3 <sup>3)</sup>				
G3/8	2	206148	VT-3/8-2 <sup>3)</sup>	PK-6 with union nut			1
	3	2336	VT-3/8-3 <sup>3)</sup>				
<b>Polymer design</b>							
G1/8	2	206146	VT-1/8-2 <sup>3)</sup>	PK-4 with union nut	6280	LK-1/8-PK-4-KU <sup>2) 3)</sup>	10
	3	4596	VT-1/8-3 <sup>3)</sup>		6281	LK-1/8-PK-6-KU <sup>2) 3)</sup>	
G1/8	2	206146	VT-1/8-2 <sup>3)</sup>	PK-6 with union nut	6282	LK-1/4-PK-4-KU <sup>2) 3)</sup>	10
	3	4596	VT-1/8-3 <sup>3)</sup>		6283	LK-1/4-PK-6-KU <sup>2) 3)</sup>	
G1/4	2	206147	VT-1/4-2 <sup>3)</sup>	PK-4 with union nut			10
	3	2335	VT-1/4-3 <sup>3)</sup>				
G1/4	2	206147	VT-1/4-2 <sup>3)</sup>	PK-6 with union nut			10
	3	2335	VT-1/4-3 <sup>3)</sup>				

\* Packaging unit quantity

1) With union nut MCK and 2 sealing rings OK

2) With union nut MCK, with moulded-on sealing ring, pressure range 0 ... 10 bar, temperature range -10 ... +60 °C

3) Free of copper and PTFE

# Multiple distributors

Technical data

FESTO

**Hollow bolt VT with ring piece TK**  
(2 outlet connections)

Materials:  
Hollow bolt: Galvanised steel  
Ring piece TK: Die-cast zinc  
Ring piece TK...-KU: Polymer

Note on materials:  
Conforms to RoHS



VT



TK

Operating and environmental conditions	
Operating pressure [bar]	0 ... +10
Operating medium	Compressed air in accordance with ISO 8573-1:2010 [7:--:-]
Note on operating/pilot medium	Operation with lubricated medium possible (in which case lubricated operation will always be required)
Certification	Ring piece TK: Germanischer Lloyd

Ordering data				Dimensions → 19			
Hollow bolt				Ring piece			
Pneumatic connection	No. of ring pieces	Part No.	Type	Pneumatic connection	Part No.	Type	PU*
<b>Die-cast zinc design</b>							
M5	2	206145	VT-M5-2 <sup>3)</sup>	PK-3 with union nut	4491	TK-M5-PK-3 <sup>1)</sup>	1
	3	4594	VT-M5-3 <sup>3)</sup>				
G1/8	2	4593	VT-1/8-2-PK-3 <sup>3)</sup>	PK-3 with union nut	4598	TK-1/8-PK-3 <sup>1)</sup>	1
	3	4595	VT-1/8-3-PK-3 <sup>3)</sup>				
	2	206146	VT-1/8-2 <sup>3)</sup>	PK-4 with union nut	4492	TK-1/8-PK-4 <sup>1)</sup>	1
	3	4596	VT-1/8-3 <sup>3)</sup>				
	2	206146	VT-1/8-2 <sup>3)</sup>	PK-6 with union nut	4493	TK-1/8-PK-6 <sup>1)</sup>	1
	3	4596	VT-1/8-3 <sup>3)</sup>				
G1/4	2	206147	VT-1/4-2 <sup>3)</sup>	PK-4 with union nut	4494	TK-1/4-PK-4 <sup>1)</sup>	1
	3	2335	VT-1/4-3 <sup>3)</sup>				
	2	206147	VT-1/4-2 <sup>3)</sup>	PK-6 with union nut	4495	TK-1/4-PK-6 <sup>1)</sup>	1
	3	2335	VT-1/4-3 <sup>3)</sup>				
G3/8	2	206148	VT-3/8-2 <sup>3)</sup>	PK-6 with union nut	4496	TK-3/8-PK-6 <sup>1)</sup>	1
	3	2336	VT-3/8-3 <sup>3)</sup>				
<b>Polymer design</b>							
G1/8	2	206146	VT-1/8-2 <sup>3)</sup>	PK-4 with union nut	6284	TK-1/8-PK-4-KU <sup>2)</sup> 3)	1
	3	4596	VT-1/8-3 <sup>3)</sup>				
	2	206146	VT-1/8-2 <sup>3)</sup>	PK-6 with union nut	6285	TK-1/8-PK-6-KU <sup>2)</sup> 3)	1
	3	4596	VT-1/8-3 <sup>3)</sup>				
G1/4	2	206147	VT-1/4-2 <sup>3)</sup>	PK-4 with union nut	6286	TK-1/4-PK-4-KU <sup>2)</sup> 3)	1
	3	2335	VT-1/4-3 <sup>3)</sup>				
	2	206147	VT-1/4-2 <sup>3)</sup>	PK-6 with union nut	6287	TK-1/4-PK-6-KU <sup>2)</sup> 3)	1
	3	2335	VT-1/4-3 <sup>3)</sup>				

- \* Packaging unit quantity
- 1) With 2 union nuts MCK and 2 sealing rings OK
- 2) With 2 union nuts MCK, with moulded-on sealing ring, pressure range 0 ... 10 bar, temperature range -10 ... +60 °C
- 3) Free of copper and PTFE

# Multiple distributors

Technical data

## Multiple distributor

consisting of:

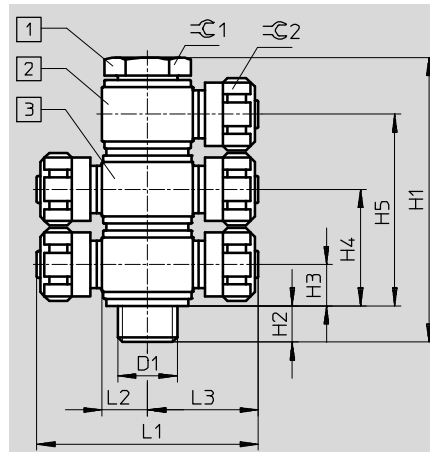
- Hollow bolt VT and ring piece LK

→ 17

or

- Hollow bolt VT and ring piece TK

→ 18



- 1 Hollow bolt VT
- 2 Ring piece LK
- 3 Ring piece TK

Dimensions														
Connection D1	Hollow bolt Type	Ring piece Type	H1	H2	H3	H4	H5	L1	L2	L3	⊖C1	⊖C2		
M5	VT-M5-2	LK-M5-PK-3	27.3	4	5.2	15.1	-	-	5	16.1	7	8		
		TK-M5-PK-3						32.2	-					
	VT-M5-3	LK-M5-PK-3	37.1	3.9	5.2	15.1	25	-	5	16.1	7	8		
		TK-M5-PK-3						32.2	-					
G3/8	VT-1/8-2-PK-3	LK-1/8-PK-3	32.7	5.9	6.1	16.7	-	-	8	19.1	13	8		
		TK-1/8-PK-3						38.2	-					
	VT-1/8-3-PK-3	LK-1/8-PK-3	43.3	5.9	6.1	16.7	27.3	-	8	19.1	13	8		
		TK-1/8-PK-3						38.2	-					
	VT-1/8-2	LK-1/8-PK-4	44.8	6	9.1	25.7	-	-	8	22.2	13	12		
								TK-1/8-PK-4	44.4				-	
		LK-1/8-PK-6						-	8	22.3			14	
								TK-1/8-PK-6	44.6					-
	VT-1/8-3	LK-1/8-PK-4	61.2	5.8	9.1	25.7	42.3	-	8	22.2	13	12		
								TK-1/8-PK-4	44.4				-	
		LK-1/8-PK-6						-	8	22.3			14	
								TK-1/8-PK-6	44.6					-
G1/4	VT-1/4-2	LK-1/4-PK-4	45.2	6.6	9.2	25.4	-	-	10	24.2	17	12		
				TK-1/4-PK-4	48.4	-								
		LK-1/4-PK-6		6.2	9.3	25.7		-	10	24.3			14	
				TK-1/4-PK-6	48.6	-								
	VT-1/4-3	LK-1/4-PK-4	62.5	6.7	9.2	25.4	41.6	-	10	24.2	17	12		
				TK-1/4-PK-4	48.4	-								
		LK-1/4-PK-6		6.1	9.3	25.7		42.1	-	10			24.3	14
				TK-1/4-PK-6	48.6	-								
G3/8	VT-3/8-2	LK-3/8-PK-6	47.5	7.5	9.3	25.7	-	-	12.5	26.8	22	14		
		TK-3/8-PK-6						53.6	-					
	VT-3/8-3	LK-3/8-PK-6	63.9	7.5	9.3	25.7	42.1	-	12.5	26.8	22	14		
		TK-3/8-PK-6						53.6	-					